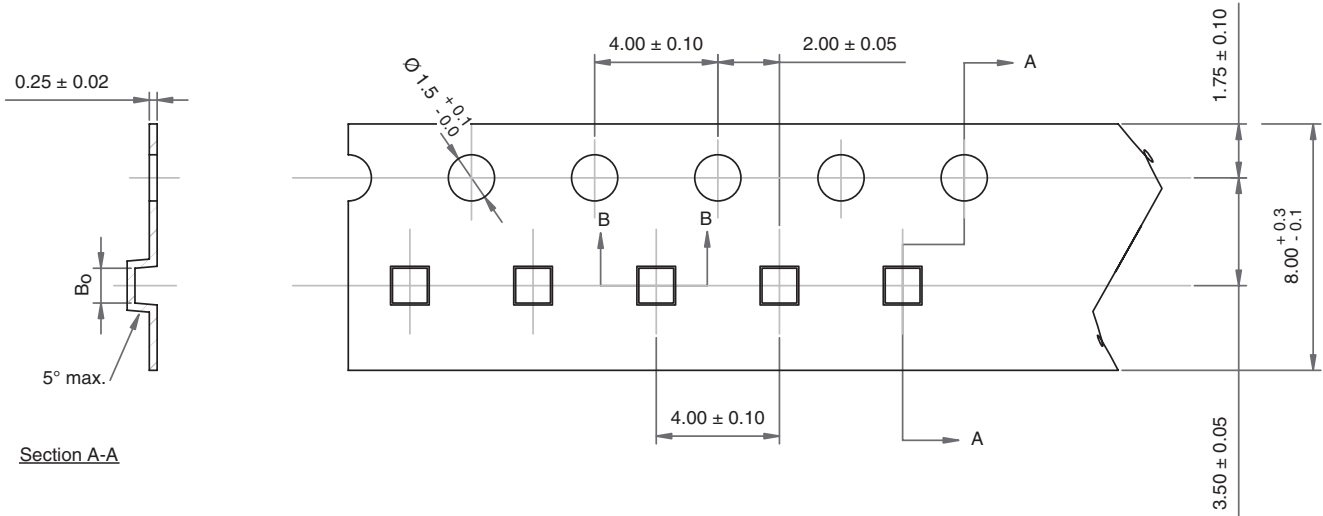
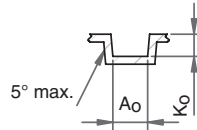


CARRIER TAPE FOR MICROFOOT 1 x 1 mm DIE SIZE



Section A-A

$A_0 = 1.13 \pm 0.05$
 $B_0 = 1.13 \pm 0.05$
 $K_0 = 0.72 \pm 0.05$



Section B-B

Notes

1. 10 sprocket hole pitch cumulative tolerance.
2. Camber not to exceed 1 mm in 100 mm.
3. Pocket position relative to sprocket hole measured as true position of pocket, not pocket hole.
4. Material: black conductive poly carbonate.
5. All sizes in mm unless specified.

ECN: C-81178-Rev. A, 26-Jan-09
 DWG: 93-5265